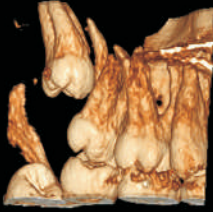


# ILUMA™

Engineered by IMTEC Corporation®



*Ultra Cone Beam CT Scanner*  
*Powered by FlashCT® Technology*



*The All in One  
Radiographic Machine*





ILUMA uses the latest generation of advancements in Cone Beam Volumetric Tomography to produce advanced, state-of-the-art images. When using ILUMA, clinicians have the most accurate anatomic information to plan treatment procedures. ILUMA delivers accurate images in as little as four minutes with images comparable to Medical CT's with much less radiation doses.

## ILUMA Features

---

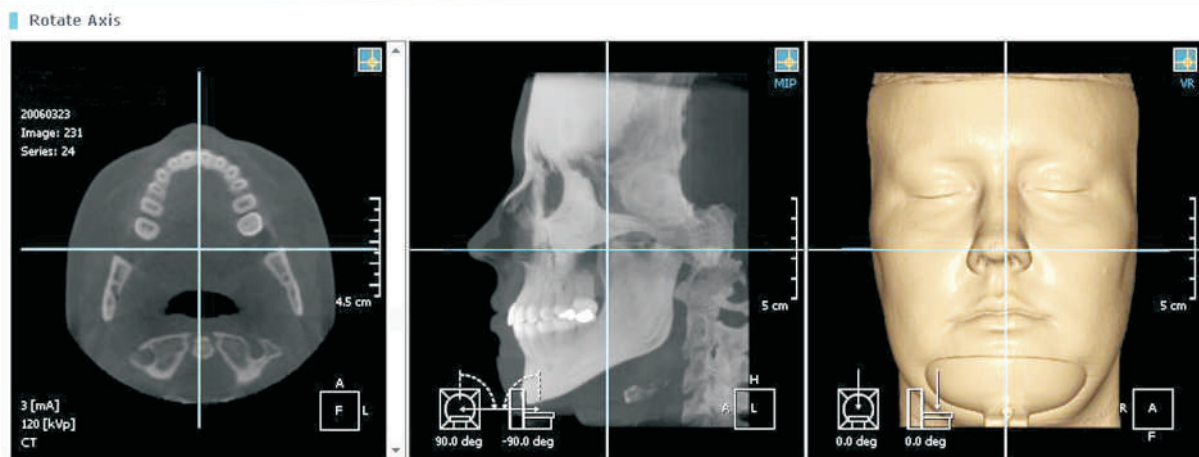


3D Region of Interest

- Orthodontic, Maxillofacial and ENT applications
- Amorphous Silicon Flat Panel Sensor Plates
- Offers up to 21.1 x 14.2cm (cylindrical) actual volume of reconstruction
- Highest resolution images
- Full-volume or region of interest rendering
- Ultra-thin CT slices (as thin as 0.09mm)
- Treatment planning software:  
ILUMA Vision 3D™
- Panoramic and 2D radiographic images
- Conversion to DICOM 3. Compatible with 3rd Party software & systems
- PACS Interface

## Information at your fingertips

The ILUMA simplifies the process of evaluating treatment planning and achieving successful treatment procedures. Obtaining images powered by *FlashCT*® Technology in-office increases the likelihood of a proposed treatment plan being accepted by the patient. All rendering can occur at the clinician's office making the information readily available.



## ILUMA Benefits

- Maintenance & software support plans available\*
- Online remote-technical support capabilities reducing downtime
- Simple to use
- Enhanced diagnostic capabilities

*\*Contact your sales representative for more information.*

# ILUMA™ Ultra Cone Beam CT Scanner

Plate Dimensions:	24.4 x 19.5cm - horizontal
Volume of Reconstruction:	(cylindrical) up to 21.1 x 14.2cm
X-ray Source:	High Frequency, constant potential, 120 kVp, 1- 3.8 mA
Focal Spot:	0.3mm
Image Detector:	127 micron (0.005 inch) Amorphous Silicon Flat Panel
Software OS:	Windows XP Pro
Workstation:	Dual Core Pentium 64 bit processor
Gray Scale:	14 bit (16,384 gray scales)
Voxel Size:	Selectable: Standard - 0.4mm Normal - 0.3mm High - 0.2mm Ultra High - 0.09mm

Image Acquisition:	Cone beam tomography geometry - single 360° rotation
Scan Time:	Variable scan times between 7.8, 20 and 40 seconds
Scan Modes:	Patient, Impression & Fluoroscopy
Patient Position:	Seated with rear head stabilization and chin support
Reconstruction Type:	Cone beam
Reconstruction Time:	2.5 minutes or greater, dependant on volume & resolution to be constructed

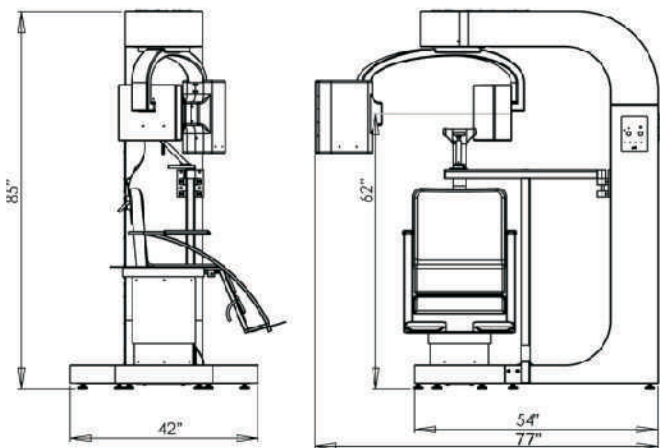
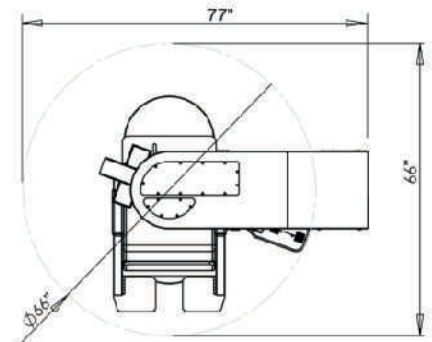
System Footprint:	42" x 56"
System Weight:	350 kg (770 lbs)
Recommended Room Size:	8' x 8' x 8' (l x w x h)
Minimum Room Size:	6' x 7' x 8' (l x w x h)

*Based on ILUMA controller software 2.0.2*

*The ILUMA CBCT scanner is delivered as a complete package including software, computer, dual monitors, installation, training, delivery and a full year warranty.*

## Options

- 1Tb (terabyte) RAID server is available for file storage
- Extended hardware & software warranties



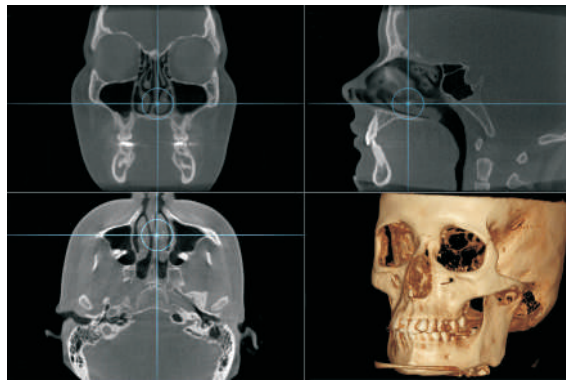
IIPM-001 Rev 03

## Key Features of ILUMA Vision 3D

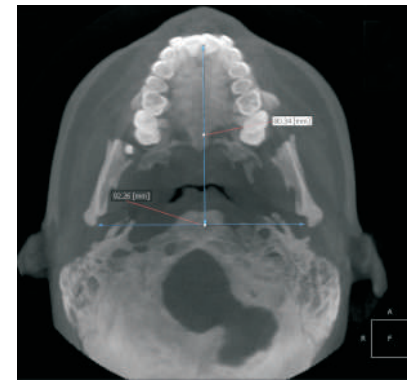
- Volume rendering
- Patient/Study database
- MIP, Mini IP, Ray Sum rendering
- Cross-sectional viewing
- Panoramic restorations
- Powerful segmentation tools
- Implant treatment planning
- Surgical planning
- Nerve display
- Inner Vision
- 1:1 scale images
- Report Generator
- Measuring tools



Cephalometric



Multi-Planar Reconstruction (MPR)



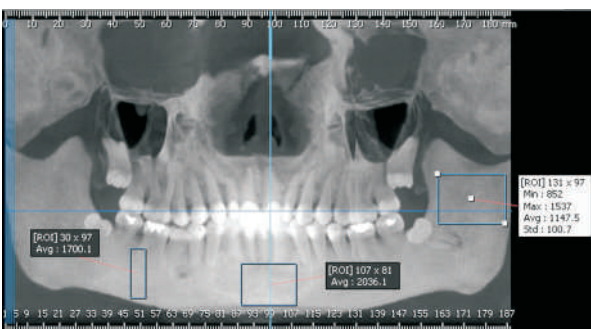
Dental Reformat Axial



Maximum Interest Projection



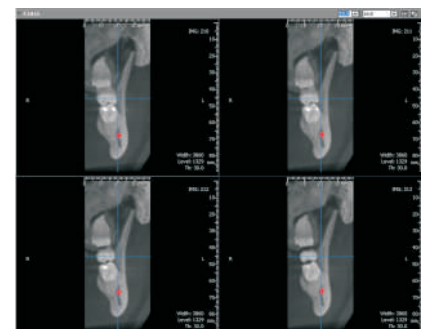
Panoramic with Nerve Mapping



Bone Density



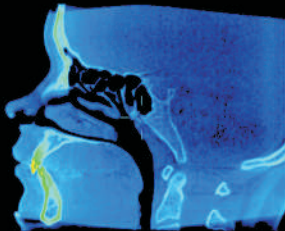
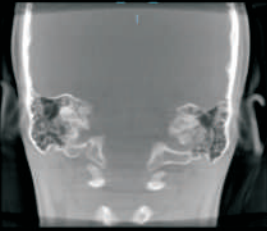
TMJ



Cross Sectional Viewing



## True Clarity, High Resolution & Multiple Options



*"IMTEC Imaging's ILUMA is hands down the state-of-the-art  
CBCT with the leading imaging hardware and software combination."*

*James Mah, DDS, MSc, DMSc  
Clinical Professor USC & UNLV*

*"The ILUMA Cone Beam CT by IMTEC Imaging is so advanced  
and superior to other units on the market that the decision to obtain  
one was one of the easiest decisions I have made."*

*Steven M. Sullivan, DDS  
Professor and Chair, OU College of Dentistry  
Department of Oral and Maxillofacial Surgery*

**IMTEC Corporation Corporate Office**  
IMTEC Plaza  
2401 North Commerce  
Ardmore, Oklahoma 73401, USA  
Phone: 580-223-4456  
Toll Free: 800-879-9799  
Fax: 580-223-4561 International  
E-mail: [info@ilumact.com](mailto:info@ilumact.com)



**IMTEC Corporation Europe**  
Dornbachstraße 30  
61440 Oberursel  
Germany  
Phone: +49/61 71/8 87 98-27  
Toll Free: 0-800-46833-000  
Fax: +49/61 71/8 87 98-20  
E-mail: [info@ilumact.com](mailto:info@ilumact.com)

**IMTEC Los Alamos Office**  
110 Eastgate Drive  
Los Alamos, New Mexico 87544, USA  
Phone: 505-661-3000  
Fax: 505-662-5179  
E-mail: [info@ilumact.com](mailto:info@ilumact.com)

**IMTEC Latinoamérica, S.A. DE C.V.**  
Rio Mayo 1219  
Col. Vista Hermosa  
Cuernavaca, Morelos  
Mexico 62290  
Phone: +52-01-777-316-4464  
Toll Free: 01-800-006-4464  
Fax: +52-01-777-316-0790  
E-mail: [info@ilumact.com](mailto:info@ilumact.com)